

How to Fit

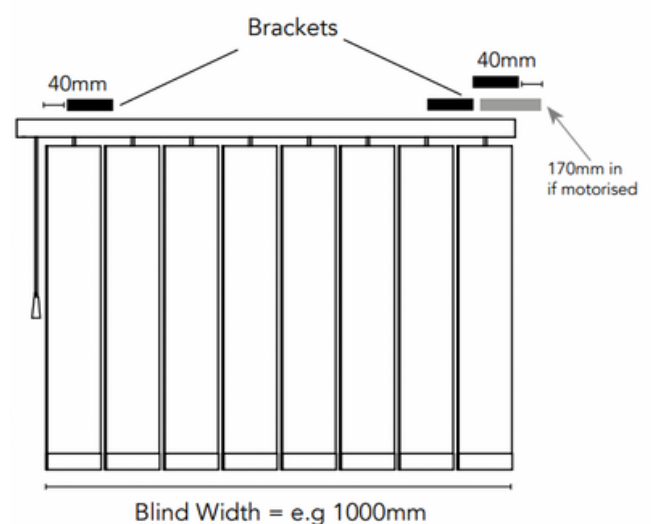
Vertical Blinds

Unpacking your Order

Carefully unwrap your blind and its components. The headrail will be packaged separately to the slats. If you have ordered the “weights and chain” option for your slats, these may be also be packaged separately.

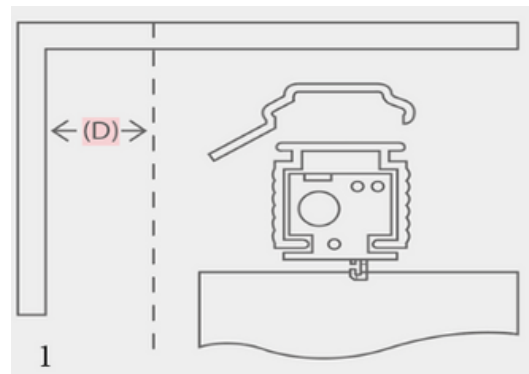
Fitting the Brackets

The first two brackets should be fitted approximately 40mm in from each end of the blind. Any intermediate brackets should be equally spaced between these first two brackets. Generally, blinds up to 1m will be supplied with two brackets, between 1m and 2m with three brackets and between 3m and 4m with four brackets.

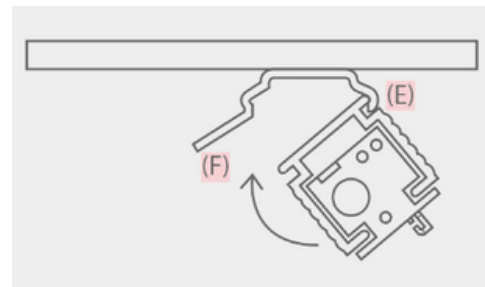


Top Fix Brackets

Top fix brackets should be fitted to the top of your window recess, positioned at least 55mm from any obstructions on your window frame, such as window handles. See point “D”. This will ensure the slats on your blind are able to rotate freely.



When the brackets are in position, you can fit the headrail. Be mindful of your chosen control sides. The hooks on the carriers will always be at the front. Tilt and hook the headrail into the bracket at point “E” and rotate the headrail into position until it clicks firmly in place. To release the headrail, push the bracket at point “F”.

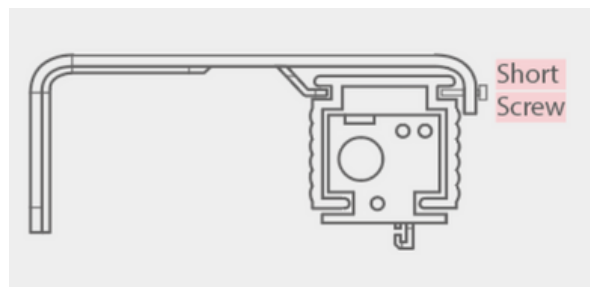
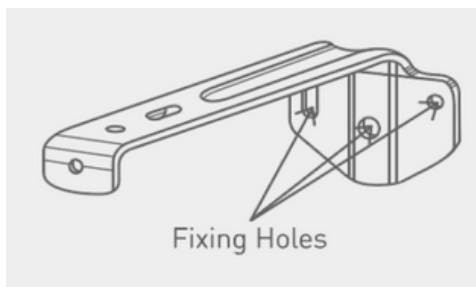


Face Fix Brackets

Face fix brackets can be fitted to window frames or onto walls outside of a recess.

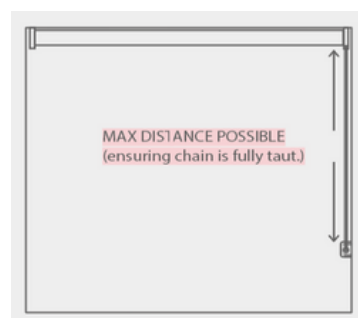
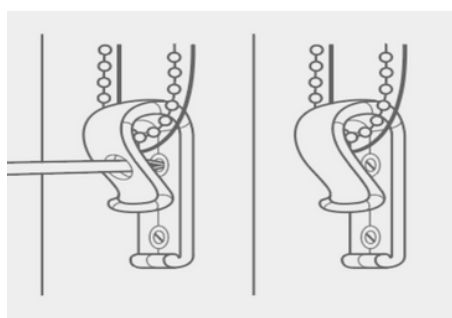
When the brackets are in position, you can fit the headrail. Be mindful of your chosen control sides when fitting the headrail. The hooks on the carriers will always be at the front.

Hook the back of the headrail onto the bracket and rotate the headrail into position. Secure the headrail by tightening the short screw located at the front of the bracket.



Safety Devices and Wands

If you have chosen a cord and chain operated blind, you will be supplied with a Child Safety device. This should be fitted as far away from the control mechanism as possible, ensuring the cord and chain is taut. The cord is used to draw the slats on your blind, whilst the chain is used to turn them.

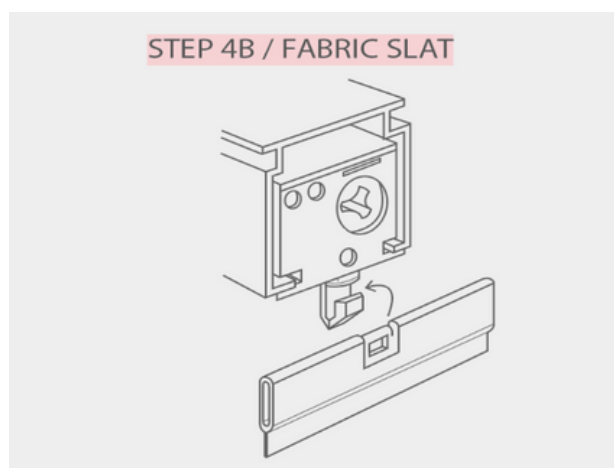
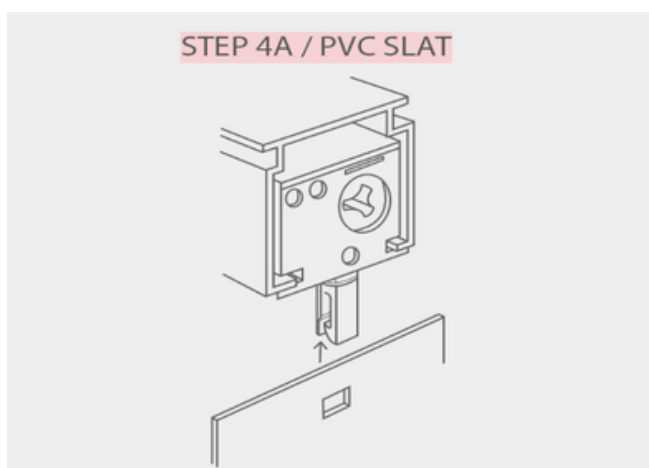


If you have chosen a wand-operated blind, the wand(s) will have been supplied separately to the headrail. These are Child Safe by design and can simply be hooked onto the lead carrier on your headrail.

The wand should be moved across the headrail to draw the slats and rotated to turn them. If you have opted for a split draw, you will receive two wands and can draw each side independently of the other. When rotating one of the wands, all the slats will rotate.

Hanging the Slats

Ensure the hooks on your headrail are in the open position. You can now hang the slats. As per the images below.



If you opted for weights and chain, you should now add the weights to each bottom pocket and attach the chain, both front and back. Chainless weights and PVC slats do not require any chain.

Top Tip -

If you find that some of the hooks, on the headrail, are out of alignment, you can remedy this by rotating them (using the chain or wand) until they all line up. You are likely to feel some resistance, even loud clicking noises, but they should line up nicely.

WARNING

Young children can be strangled by loops in pull cords, chains, tapes and inner cords that operate the product. To avoid strangulation and entanglement, keep cords out of the reach of young children. Cords may become wrapped around a child's neck. Move beds, cots and furniture away from window covering cords. Do not tie cords together. Make sure cords do not twist and create a loop.