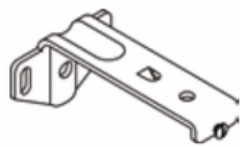


How to Fit

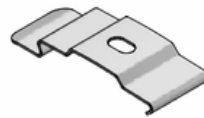
Wanded Vertical Blind

Fitting the Brackets

Carefully unwrap the roller blind and its associated brackets. There are two bracket options for open cassette blinds, face fix and top fix.

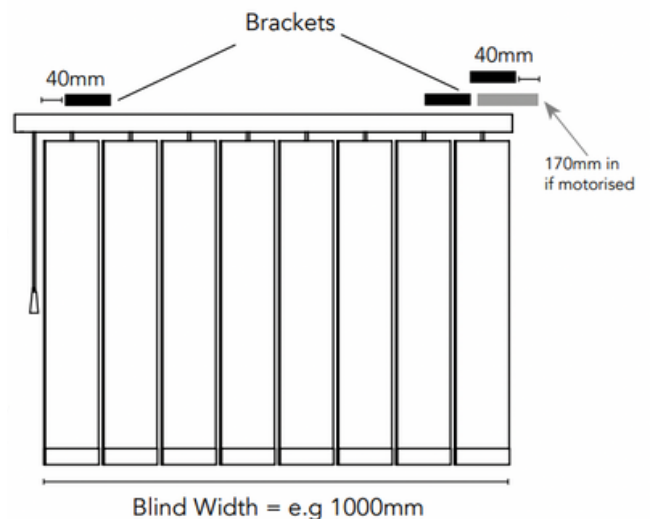


Face fix screw fit bracket



Top fix spring fit bracket

The brackets should therefore be attached to the ceiling or window frame clear from any obstruction on a line 55mm for 89mm louvres. For a blind up to 1 metre wide attach two brackets fitted approximately 40mm from each end of the blind. Any intermediate brackets should be spaced evenly between these

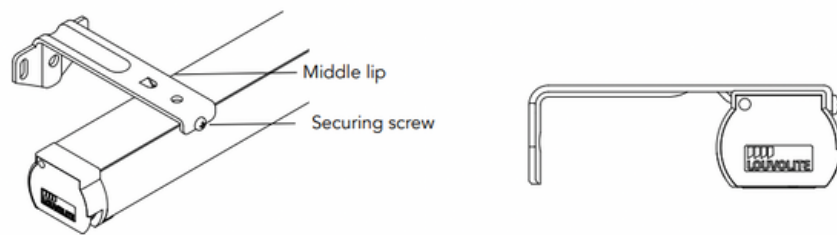


Mark the bracket hole positions before drilling and plugging if necessary. Use two screws for a face fix bracket and one screw in a top fix bracket ensuring that the brackets are level. Remember to allow room for the blind to clear any obstacles when deployed, e.g. door or window handles.

Fitting the Track

The track should be fitted into the brackets keeping the operating cords on the side of the blind as ordered (LH/RH control).

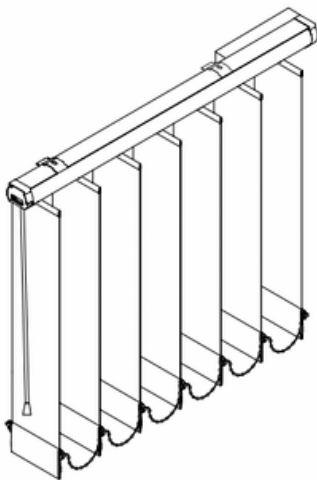
If using a face fix screw bracket, locate the blind with the groove on the back of the headrail and fit it into the middle lip of the bracket. Now push the blind upwards until the headrail is sitting level on the bracket before tightening the securing screw from the front of the blind. Do not over tighten these screws, it is unnecessary and may damage the track.



If using a top fix spring clip bracket you should push the track upwards then tilt away from you to locate the spring bracket front lip into the front groove on the track. Push upwards and the track will click into place.



Fitting the Louvres and operating the blind



Turn the hooks on the carriers of the track so that the slots are at 90 degrees to the track. Hang the louvres and ensure the seams are all facing the same direction.

To operate, use the wand to move the louvres across the track and slide the louvres across the track by walking the wand across the blind. To move the louvres in the opposite direction walk the wand in that direction. Do not move the blinds with the louvres in the closed position always turn them 90 degrees to the track before operating.