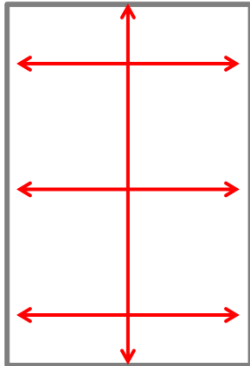


Intu Beadfit Measuring Instructions

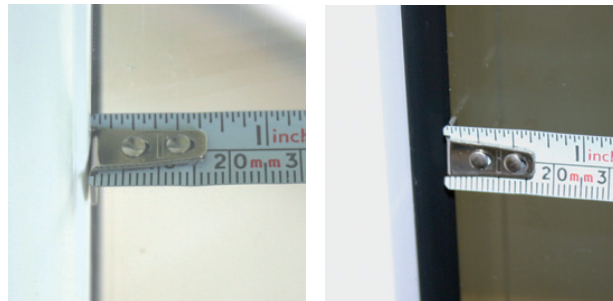


Measure clear glass width and drop

- Min. width: 240mm
- Min. drop: 100mm
- Max. width: 1400mm
- Max. drop: 2000mm
- Max. area: 1.5 sq m

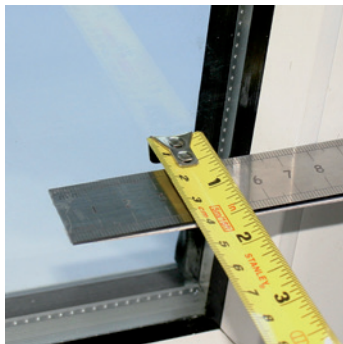
Measure the visible glass width at 3 different points as shown. Use the smallest measurement as the blind width.

Flush or Recessed Rubber Bead Proud Rubber Bead



Measuring the window

Tape Measure



Depth Gauge (TP487)

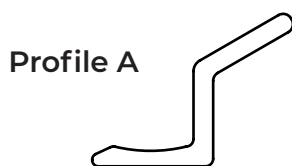


For bead depths above 27mm use Intu Screwfit or Intu Micro. For bead depths smaller than 11mm use Intu Micro

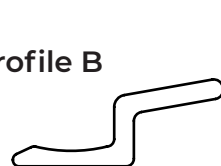
- End cap spacers supplied
- 19-27mm - 0
 - 15-18mm - 1 per side
 - 11-14mm - 2 per side

To ensure windows have a suitable rubber bead that accepts fitting of bracket, slide a credit card or something thinner between glass and rubber bead.

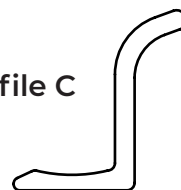
Bead depth



Profile A



Profile B



Profile C



Profile D



Profile AXL



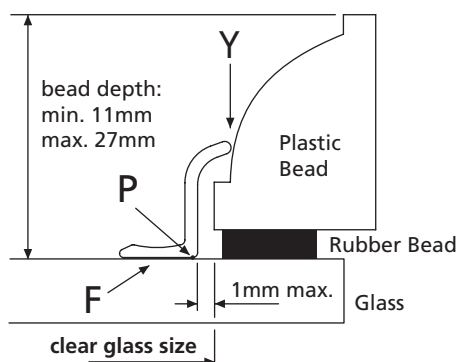
Profile CXL



Profile DXL

Side profile

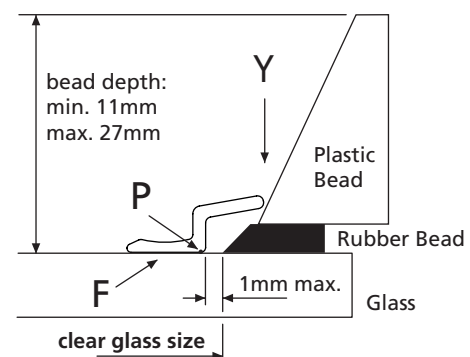
Flush or Recessed Rubber Bead



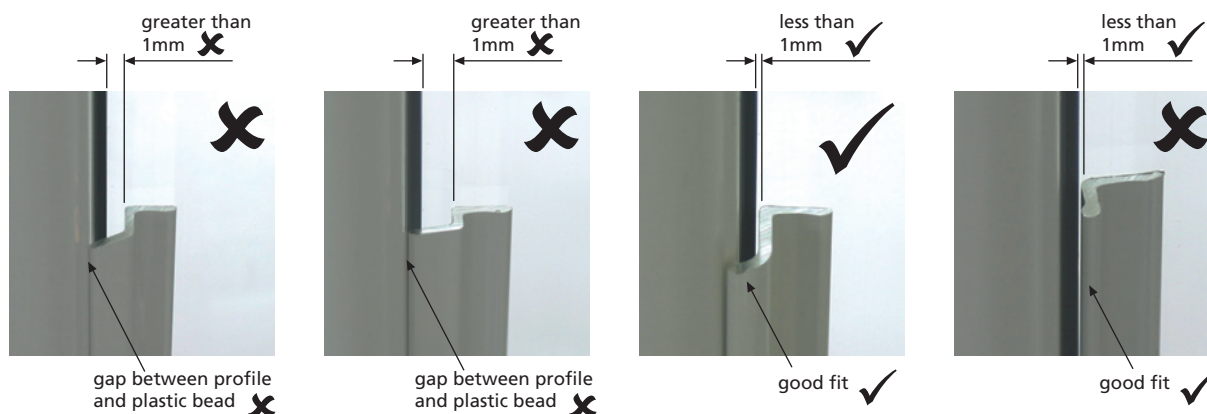
Select side profile that:-

- gives best fit at Y,
- has max. 1mm gap between point P and clear glass size,
- keeps face F flat on glass

Proud Rubber Bead



Rubber bead



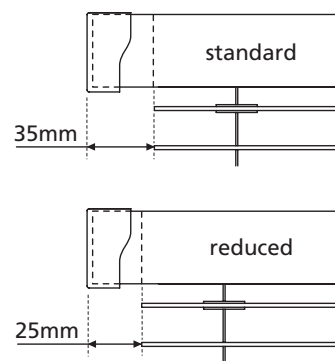
Where the gap is greater than 1mm, this size must be deducted from clear glass size (both sides)



70mm std.
50mm mod.

Reduced Headrail - All Models

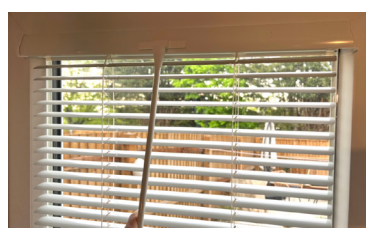
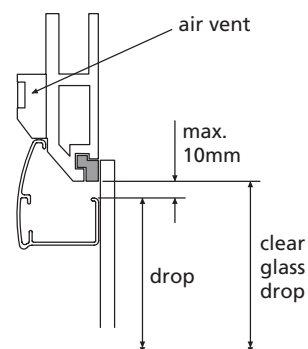
- Insufficient clearance on window frame or glazing bar will require modified headrails.
- Reduction will be 10mm per side.



Air Vents

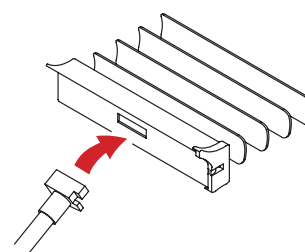
When headrail may foul air vent or other obstruction, a deduction of up to 10mm can be made from the clear glass drop to clear obstruction

You must have 25mm clearance between the edge of the glass and edge of the air vent.



Blinds out of reach

- Choose a 30cm, 60cm or 120cm rod as required
- The rod connector is placed inside the tilt handle (Venetian Only)
- Bottom rail is slotted for rod to assist with raising and lowering (Venetian and Pleated)



All blinds are supplied with a bottom rail that is an integrated handle. This moulded handle is simple to use and maintains the stylish appearance of the blind.

Visit our website www.directorderblinds.co.uk/how-to-measure-blinds